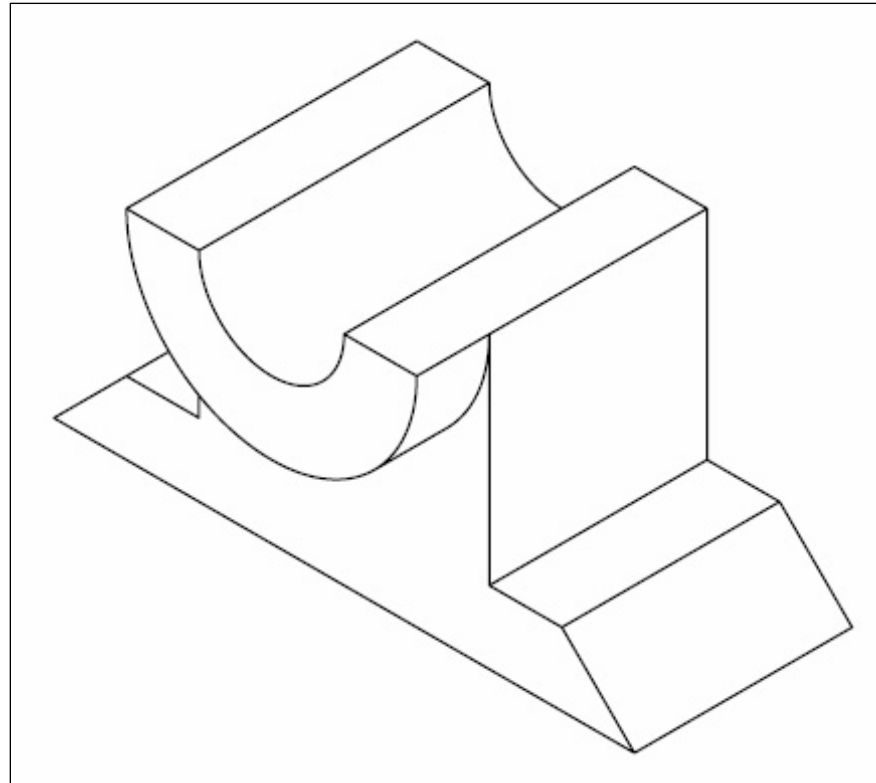


<https://hamiworks.com/solidworks-project>

SolidWorks Education

Detailed Drawing Exercises



Dassault Systèmes SolidWorks Corp.
175 Wyman Street
Waltham, MA 02451 USA
Phone: 1 800 693 9000

Outside the US: 1 978 371 5011
Fax: 1 978 371 7303
solidworks.education@3ds.com

